

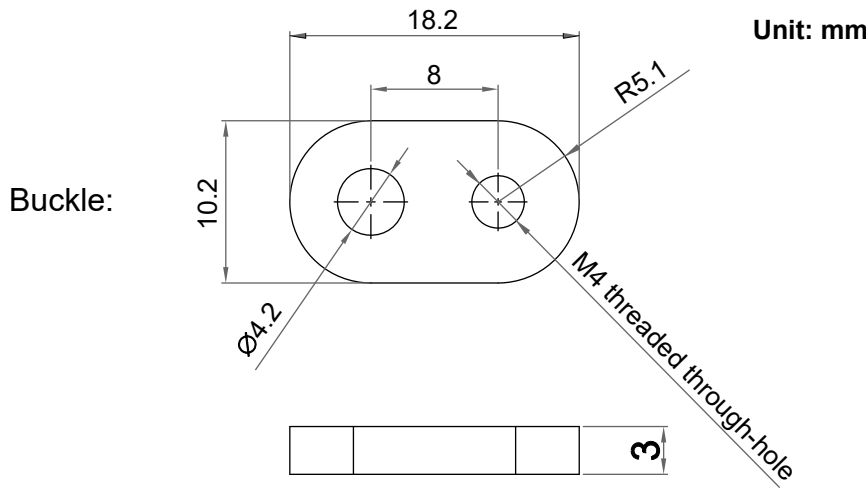
# ED-ACCHMI-Front

## HMI Mounting Kit for Front Installation

- ◆ With 4 buckles, 4 M4\*10 screws and 4 M4\*16 screws
- ◆ Applicable to ED-HMI series products



### Dimensions



### Ordering Code

P/N: **ED-ACCHMI-Front**

Configuration: HMI Mounting Kit for Front Installation, with 4 x buckles, 4 x M4\*10 screws and 4 x M4\*16 screws.

### Packing List

- 4 x buckles
- 4 x M4\*10 screws
- 4 x M4\*16 screws

## Installation Schematic

The following figure is only for the installation schematic, please refer to the User Manual of the corresponding HMI product for specific installation steps.

