



ED-LENS- M12-250150-05-A

Datasheet

by EDA Technology Co., Ltd

built: 2025-08-01

ED-LENS-M12-250150-05-A

1/2.5" 5 Megapixel wide range M12 lens

Overview

ED-LENS-M12-250150-05-A lens can be used on various cameras with M12 interfaces. This 1.5mm M12 lens provides a 210° Horizontal Field of View on 1/2.5" sensors.

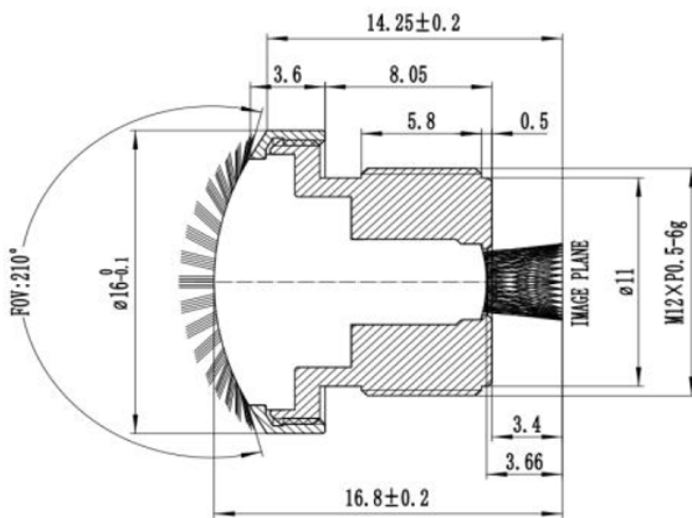


Specifications

Resolution	5 Megapixel	
Optical format	1/2.5"	
TTL (Total Track Length)	16.8mm	
EFL (Effective Focal Length)	1.5mm	
Aperture	F2.4	
Mount	M12	
FOV (Field of View) DxHxV		1/2.5"
	D	210°
	H	210°
	V	210°
F-theta Distortion	-22.00%	
CRA (Chief Ray Angle)	11.4°	
MOD (Minimum Object Distance)	0.3m	
BFL (Back Focal Length)	3.66mm	
MBF (Mechanical Back Focal)	3.4mm	

Structure	6G	
Operation	Focus	Manual
	Iris aperture	Fixed
Dimension (mm)	$\Phi 16 \times 13.4$	
Weigh (g)	4.5	
Working Temperature	-20°C to $+60^{\circ}\text{C}$	

Mechanical Drawing



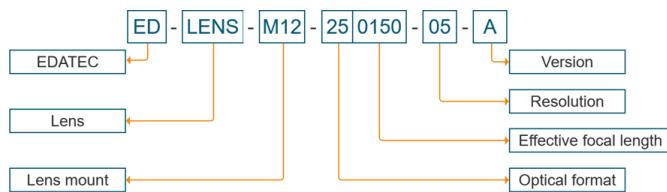
Unit	mm
Size Tolerance	0-10 \pm 0.1, 10-30 \pm 0.3, 30-120 \pm 0.5
Angle Tolerance	$\pm 2^{\circ}$

Actual Photo

Below picture was taken by camera module with this lens in the lab, it just gives a reference about the Field of View and resolution of the lens, it may be different with the pictures taken in different light environment and other different conditions.



Ordering Code



Example

P/N : ED-LENS-M12-250150-05-A

Configuration : EDATEC selected a wide angle of 5 Megapixel M12-mount lens (version A) for Camera module, this 1.5mm M12 lens provides a 210° Horizontal Field of View on 1/2.5" sensors.

Selection Guide

More details about Ordering Code, please check [Selection Guide](#).