



# **ED-LENS-M12-230155-12**

## Datasheet

by EDA Technology Co., Ltd

built: 2025-08-22

# ED-LENS-M12-230155-12

1/2.3" 12 Megapixel wide range M12 lens

## Overview

ED-LENS-M12-230155-12 lens can be used on various cameras with M12 interfaces. This 1.55mm M12 lens provides a 195° Horizontal Field of View on 1/2.3" sensors.

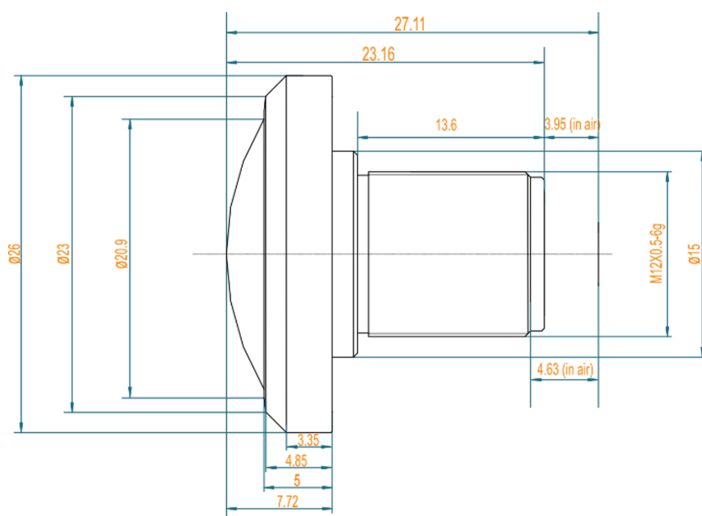


## Specifications

Resolution	12 Megapixel			
Optical format	1/2.3"			
TTL (Total Track Length)	27.11mm			
EFL (Effective Focal Length)	1.55mm			
Aperture	F2.0			
Mount	M12			
FOV (Field of View) DxHxV		1/2.3"	1/2.5"	1/2.7"
	D	195°	195°	195°
	H	195°	195°	195°
	V	195°	172°	157°
Optical Distortion	-98.00%			
CRA (Chief Ray Angle)	≤11.6°			
MOD (Minimum Object Distance)	0.15m			
BFL (Back Focal Length)	4.63mm			
MBF (Mechanical Back Focal)	3.95mm			

Structure	8G	
Operation	Focus	Manual
	Iris aperture	Fixed
Dimension (mm)	Φ26×23.16	
Weigh (g)	8	
Working Temperature	-30°C to +70°C	

## Mechanical Drawing



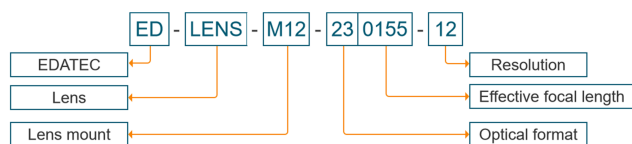
Unit	mm
Size Tolerance	0-10±0.1, 10-30±0.3, 30-120±0.5
Angle Tolerance	±2°

## Actual Photo

Below picture was taken by camera module with this lens in the lab, it just gives a reference about the Field of View and resolution of the lens, it may be different with the pictures taken in different light environment and other different conditions.



## Ordering Code



### Example

**P/N :** ED-LENS-M12-230155-12

**Configuration :** EDATEC selected a wide angle of 12 Megapixel M12-mount lens for Camera module, this 1.55mm M12 lens provides a 195° Horizontal Field of View on 1/2.3" sensors.

## Selection Guide

More details about Ordering Code, please check [Selection Guide](#).