



# **ED-LENS-M12-230112-04**

## Datasheet

by EDA Technology Co., Ltd

built: 2025-08-22

# ED-LENS-M12-230112-04

1/2.3" 4 Megapixel wide range M12 lens

## Overview

ED-LENS-M12-230112-04 lens can be used on various cameras with M12 interfaces. This 1.12mm M12 lens provides a 225° Horizontal Field of View on 1/2.3" sensors.

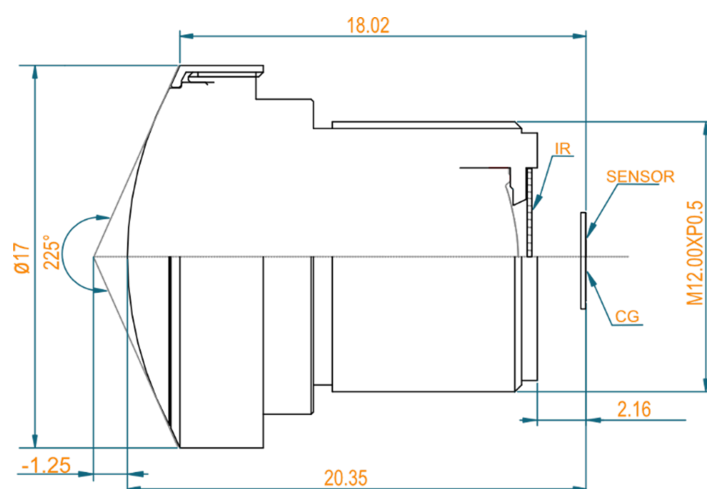


## Specifications

|                               |             |        |
|-------------------------------|-------------|--------|
| Resolution                    | 4 Megapixel |        |
| Optical format                | 1/2.3"      |        |
| TTL (Total Track Length)      | 20.35mm     |        |
| EFL (Effective Focal Length)  | 1.12mm      |        |
| Aperture                      | F2.2        |        |
| Mount                         | M12         |        |
| FOV (Field of View) DxHxV     |             | 1/2.3" |
|                               | D           | 225°   |
|                               | H           | 225°   |
|                               | V           | 225°   |
| Optical Distortion            | <-11.8%     |        |
| CRA (Chief Ray Angle)         | 9.9°        |        |
| MOD (Minimum Object Distance) | 0.17m       |        |
| BFL (Back Focal Length)       | 3.01mm      |        |
| MBF (Mechanical Back Focal)   | 2.16mm      |        |

|                     |                |        |
|---------------------|----------------|--------|
| Structure           | 4G2P           |        |
| Operation           | Focus          | Manual |
|                     | Iris aperture  | Fixed  |
| Dimension (mm)      | Φ17×18.19      |        |
| Weigh (g)           | 6              |        |
| Working Temperature | -20°C to +70°C |        |

## Mechanical Drawing



|                 |                                 |
|-----------------|---------------------------------|
| Unit            | mm                              |
| Size Tolerance  | 0-10±0.1, 10-30±0.3, 30-120±0.5 |
| Angle Tolerance | ±2°                             |

## Actual Photo

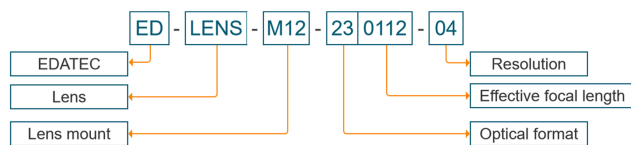
Below picture was taken by camera module with this lens in the lab, it just gives a reference about the Field of View and resolution of the lens, it may be different with the pictures taken in different light environment and other different conditions.



## TIP

The MBF (Mechanical Back Focal) value of this lens is relatively small, making it unsuitable for Raspberry Pi M12 HQ camera module.

## Ordering Code



### Example

**P/N : ED-LENS-M12-230112-04**

**Configuration :** EDATEC selected a wide angle of 4 Megapixel M12-mount lens for Camera module, this 1.12mm M12 lens provides a 225° Horizontal Field of View on 1/2.3" sensors.

## Selection Guide

More details about Ordering Code, please check [Selection Guide](#).