



ED-LENS-M12-180160-05

Datasheet

by EDA Technology Co., Ltd

built: 2025-11-11

ED-LENS-M12-180160-05

1/1.8" 5 Megapixel wide range M12 lens

Overview

ED-LENS-M12-180160-05 lens can be used on various cameras with M12 interfaces. This 1.6mm M12 lens provides a 180° Horizontal Field of View on 1/1.8" sensors.

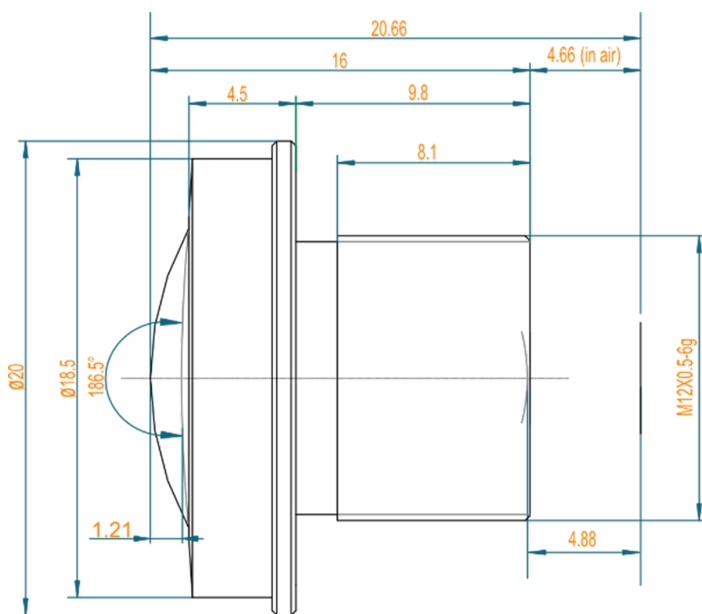


Specifications

Resolution	5 Megapixel			
Optical format	1/1.8"			
TTL (Total Track Length)	20.66mm			
EFL (Effective Focal Length)	1.6mm			
Aperture	F2.0			
Mount	M12			
FOV (Field of View) DxHxV		1/1.8"	1/2.3"	1/3"
	D	180°	180°	180°
	H	180°	180°	180°
	V	180°	180°	132°
Optical Distortion	-97.50%			
CRA (Chief Ray Angle)	≤10.49°			
MOD (Minimum Object Distance)	0.3m			
BFL (Back Focal Length)	4.88mm			
MBF (Mechanical Back Focal)	4.66mm			

Structure	6G	
Operation	Focus	Manual
	Iris aperture	Fixed
Dimension (mm)	Φ20×16	
Weigh (g)	7	
Working Temperature	-30°C to +80°C	

Mechanical Drawing



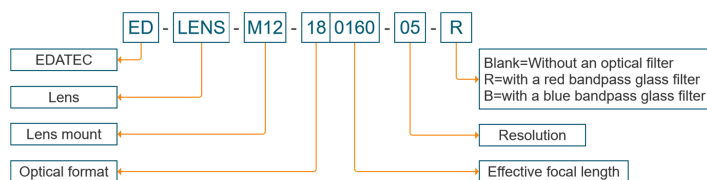
Unit	mm
Size Tolerance	0-10±0.1, 10-30±0.3, 30-120±0.5
Angle Tolerance	±2°

Actual Photo

Below picture was taken by camera module with this lens in the lab, it just gives a reference about the Field of View and resolution of the lens, it may be different with the pictures taken in different light environment and other different conditions.



Ordering Code



Example

P/N : ED-LENS-M12-180160-05

Configuration : EDATEC selected a wide angle of 5 Megapixel M12-mount lens for Camera module, this 1.6mm M12 lens provides a 180° Horizontal Field of View on 1/1.8" sensors.

Selection Guide

More details about Ordering Code, please check [Selection Guide](#).