



ED-LENS-M12-170800-12

Datasheet

by EDA Technology Co., Ltd

built: 2025-08-01

ED-LENS-M12-170800-12

1/1.7" 12 Megapixel wide range M12 lens

Overview

ED-LENS-M12-170800-12 lens can be used on various cameras with M12 interfaces. This 8mm M12 lens provides a 57.12° Horizontal Field of View on 1/1.7" sensors.

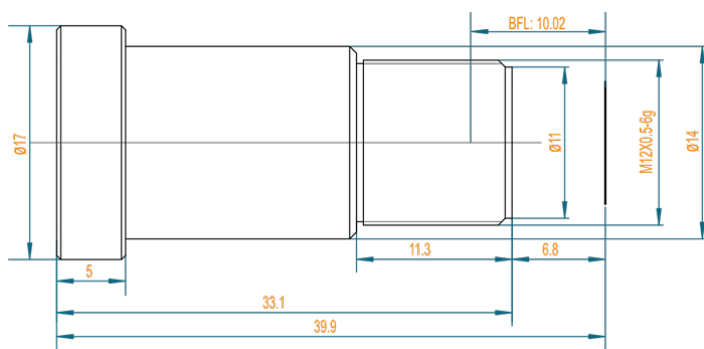


Specifications

Resolution	12 Megapixel			
Optical format	1/1.7"			
TTL (Total Track Length)	39.9mm			
EFL (Effective Focal Length)	8.0mm			
Aperture	F1.8			
Mount	M12			
FOV (Field of View) DxHxV		1/1.7"	1/2.5"	1/3.0"
	D	72.64°	50.7°	43°
	H	57.12°	44.4°	34.7°
	V	42.44°	32.6°	26.4°
Optical Distortion	-15.68%			
CRA (Chief Ray Angle)	≤10.8°			
MOD (Minimum Object Distance)	0.3m			
BFL (Back Focal Length)	10.02mm			
MBF (Mechanical Back Focal)	6.8mm			

Structure	8G	
Operation	Focus	Manual
	Iris aperture	Fixed
Dimension (mm)	$\Phi 17 \times 33.1$	
Weigh (g)	12	
Working Temperature	-20°C to +70°C	

Mechanical Drawing



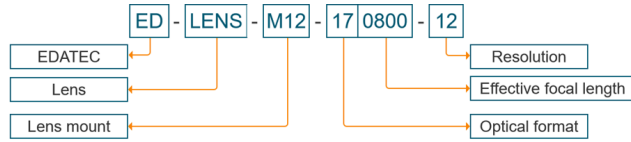
Unit	mm
Size Tolerance	0-10 \pm 0.1, 10-30 \pm 0.3, 30-120 \pm 0.5
Angle Tolerance	$\pm 2^\circ$

Actual Photo

Below picture was taken by camera module with this lens in the lab, it just gives a reference about the Field of View and resolution of the lens, it may be different with the pictures taken in different light environment and other different conditions.



Ordering Code



Example

P/N : ED-LENS-M12-170800-12

Configuration : EDATEC selected a wide angle of 12 Megapixel M12-mount lens for Camera module, this 8mm M12 lens provides a 57.12° Horizontal Field of View on 1/1.7" sensors.

Selection Guide

More details about Ordering Code, please check [Selection Guide](#).