



ED-LENS-M12-170183-08

Datasheet

by EDA Technology Co., Ltd

built: 2025-08-01

ED-LENS-M12-170183-08

1/1.7" 8 Megapixel wide range M12 lens

Overview

ED-LENS-M12-170183-08 lens can be used on various cameras with M12 interfaces. This 1.83mm M12 lens provides a 186° Horizontal Field of View on 1/1.7" sensors.

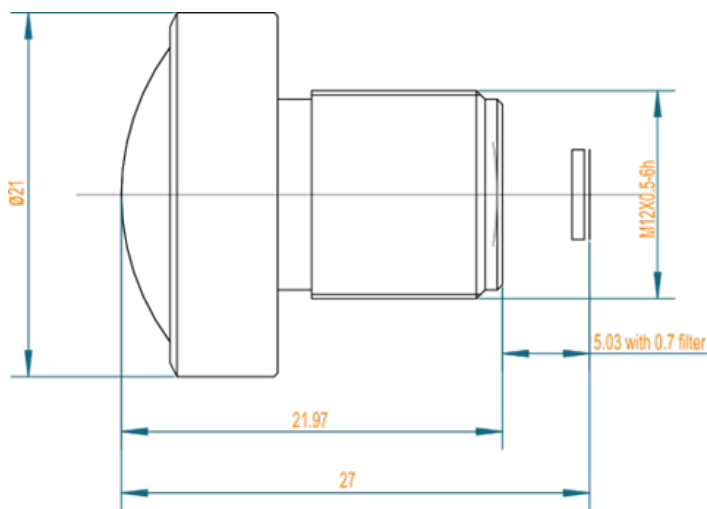


Specifications

Resolution	8 Megapixel	
Optical format	1/1.7"	
TTL (Total Track Length)	27mm	
EFL (Effective Focal Length)	1.83mm	
Aperture	F2.07	
Mount	M12	
FOV (Field of View) DxHxV		1/1.7"
	D	186°
	H	186°
	V	186°
Optical Distortion	-12.80%	
CRA (Chief Ray Angle)	9.8°	
MOD (Minimum Object Distance)	0.2m	
BFL (Back Focal Length)	5.03mm	
MBF (Mechanical Back Focal)	>5mm	

Structure	8E	
Operation	Focus	Manual
	Iris aperture	Fixed
Dimension (mm)	Φ21×21.97	
Weigh (g)	13	
Working Temperature	-30°C to +70°C	

Mechanical Drawing



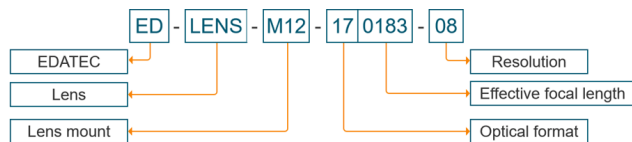
Unit	mm
Size Tolerance	0-10±0.1, 10-30±0.3, 30-120±0.5
Angle Tolerance	±2°

Actual Photo

Below picture was taken by camera module with this lens in the lab, it just gives a reference about the Field of View and resolution of the lens, it may be different with the pictures taken in different light environment and other different conditions.



Ordering Code



Example

P/N : ED-LENS-M12-170183-08

Configuration : EDATEC selected a wide angle of 8 Megapixel M12-mount lens for Camera module, this 1.83mm M12 lens provides a 186° Horizontal Field of View on 1/1.7" sensors.

Selection Guide

More details about Ordering Code, please check [Selection Guide](#).