



# **ED-HMI3010-116C**

## Datasheet

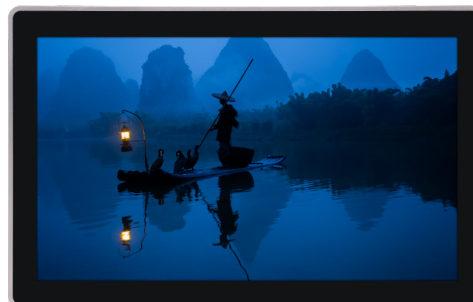
by EDA Technology Co., Ltd

built: 2025-03-03

# ED-HMI3010-116C

## 11.6-inch Industrial HMI Based on Raspberry Pi 5

- 11.6" TFT, resolution 1920x1080, multi-point capacitive touch screen
- Broadcom BCM2712 2.4GHz quad-core 64-bit Arm Cortex-A76 CPU
- Up to 8GB LPDDR4 RAM, 32GB or 64GB SD Card storage
- 1 x Gigabit ethernet port, 2 x USB 3.0, 2 x USB 2.0
- 1 stereo audio output, support headphone and speaker
- 12V power input on DC Jack connector
- Support backlight adjustment via DDCUI software
- Embedded installation, compatible with VESA standard bracket installation



## Specifications

System	
CPU	Broadcom BCM2712 2.4GHz quad-core 64-bit Arm Cortex-A76
VPU	H.265 (HEVC), up to 4Kp60 decode
GPU	OpenGL ES 3.1 & Vulkan 1.2
Memory	Options for 2GB, 4GB, 8GB LPDDR4X-4267
Storage	32GB and 64GB SD Storage Card are optional

Software	
Operating System	Support the official Raspberry Pi OS without driver installation Raspberry Pi OS (Desktop) 32-bit Raspberry Pi OS (Lite) 32-bit Raspberry Pi OS (Desktop) 64-bit Raspberry Pi OS (Lite) 64-bit

Side I/O	
1000M Ethernet	1 x adaptive 10/100/1000M ethernet port, RJ45 connector. It can be used to access the network.
USB 2.0	2 x USB 2.0 ports, dual layer Type-A connector, each channel supports up to 480Mbps transmission rate.
USB 3.0	2 x USB 3.0 ports, dual layer Type-A connector, each channel supports up to 5Gbps transmission rate.
Audio	1 x 3.5mm audio jack, stereo audio output

Side I/O	
Speaker	1 x PA output, built-in a 4Ω 5W speaker.
Power	1 x DC Jack port, support 12V power input.
SD Card Slot	1 x Micro SD card slot, which is used to install Micro SD card. It supports booting the OS from SD card.

Buttons and Indicators	
PWR	1 x Red power indicator, using to check the status of device power-on and power-off.
PWR/ACT	1 x Power/System status indicator, red and green, using to view the status of device power-up and system read/write.
Brightness Adjustment Button	2 x Brightness adjustment buttons for increasing and decreasing the brightness.
Volume Adjustment Button	2 x Volume adjustment buttons for increasing and decreasing the volume.
Mute Button	1 x Mute button for mute and unmute audio.
ON/OFF Button	1 x Power button, which is used to turn on and turn off the device.

LCD	
Type	11.6" TFT
Resolution	1920 x 1080
Color Number	16.7M
Active Area	256.32mm (H) x 144.18mm (V)
Backlight	LED
Luminance	450cd/m <sup>2</sup>
Contrast Ratio	1000:1
Response Time	30ms
Viewing Angle (CR≥10)	85° (L) / 85° (R) / 85° (U) / 85° (D)

Touch Screen	
Type	Capacitive Touch Screen
multi-touch	Up to 10 points
	USB

Touch Screen	
Communication Method	
Transmittance	≥85%
Surface Hardness	≥6H

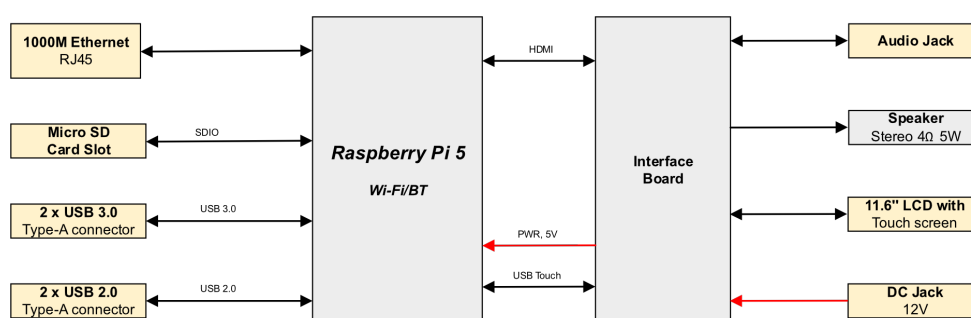
Electrical Characteristics	
Input Voltage	12V DC (±10%)
Power Consumption	30W (Max)

Mechanical Characteristics	
Dimensions	303.3mm x 191.3mm x 46.5mm (WxDxH)
Weight	About 1.8kg
Installation	Embedded front installation and VESA bracket mounting

Wireless	
Wi-Fi	Dual-band 802.11ac Wi-Fi
Bluetooth	Bluetooth 5.0 / Bluetooth Low Energy (BLE)

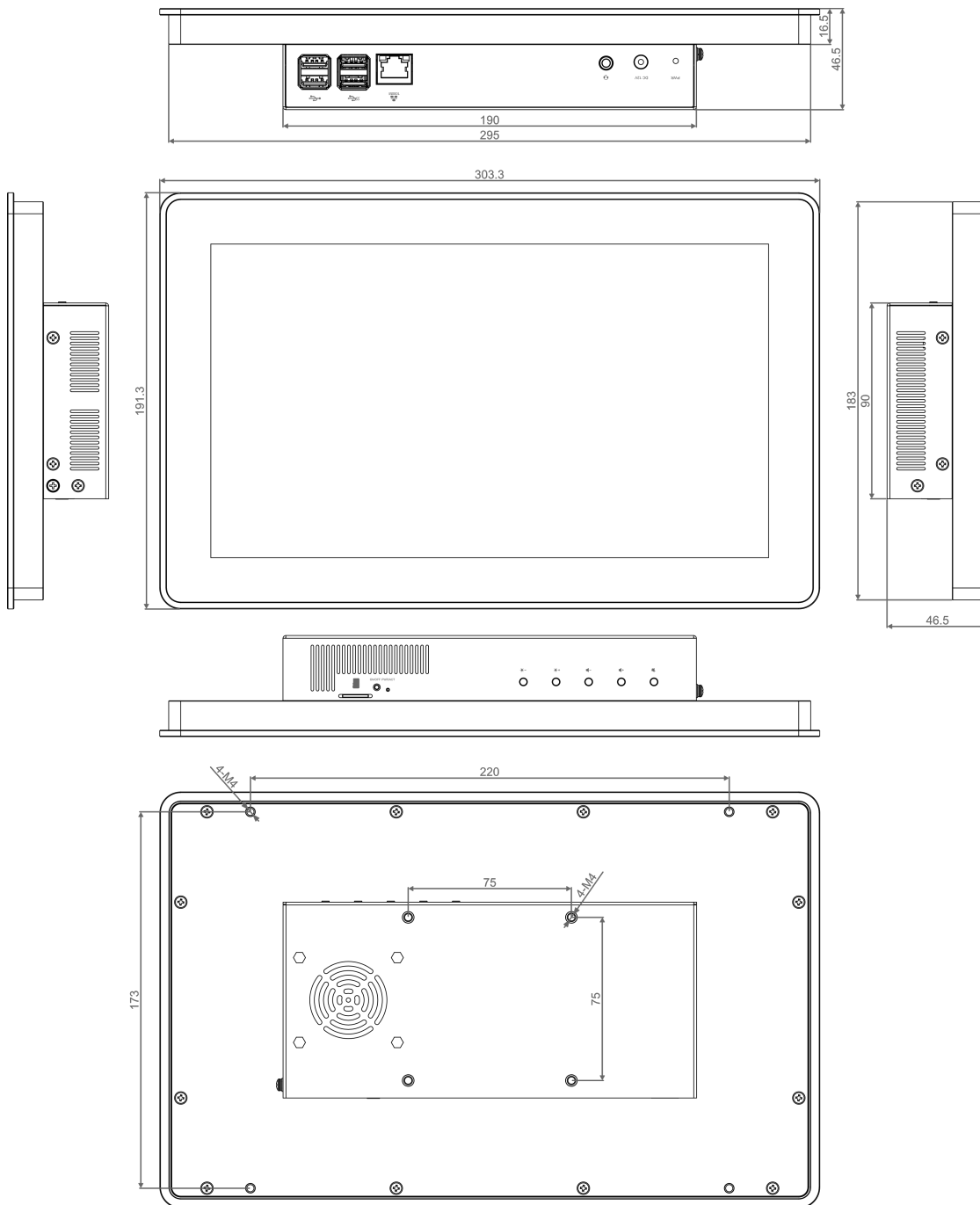
Environmental & Regulatory	
Operating Temperature	0°C ~ 50°C
Storage Temperature	-20°C ~ 60°C
Ambient humidity	5% ~ 95% (non-condensing)

## System Diagram

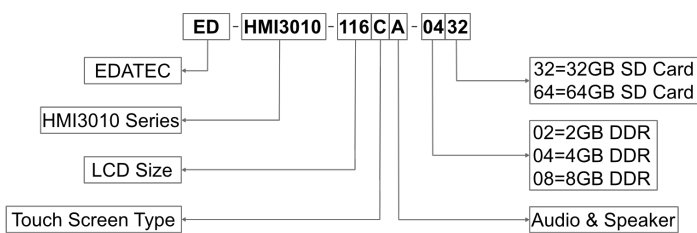


# Dimensions

Unit: mm



# Ordering Code



**Example**  
 P/N: **ED-HMI3010-116CA-0432**  
 Configuration: 11.6-inch Industrial HMI Based on Raspberry Pi 5, with 4GB DDR, 32GB SD card, Audio& Speaker and ED-Pi5PCOOLER.

## Packing List

- 1 x ED-HMI3010-116C Unit
- 1 x Mounting Kit (including 4 x buckles, 4xM4\*10 screws and 4xM4\*16 screws)