



ED-CLAWBOX

Datasheet

by EDA Technology Co., Ltd

built: 2026-05-09

ED-CLAWBOX

OpenClaw Mini Box PC Powered by Raspberry Pi

- Plug & Play AI: Pre-installed JishuShell for one-click OpenClaw deployment
- Unleashed Performance: Powered by the Raspberry Pi CM5 for high-speed AI tasks
- Universal Ecosystem: Full compatibility with the Raspberry Pi ecosystem
- Privacy by Design: 100% local deployment ensures your data stays private and secure, away from the cloud.
- Unified Management: Centralized dashboard for real-time monitoring and seamless integration with Skills and MCP tools
- Always-On Reliability: Industrial-grade stability ensures support for 7x24 hours of continuous operation
- Two Fashion Colors: Carefully selected Moonlight Silver and Pink Gold fashionable shells



Specifications

System	
CPU	Broadcom BCM2712, quad core Cortex-A76 (ARM v8) 64-bit SoC @ 2.4GHz
VPU	H.265 (HEVC), up to 4Kp60 decode
GPU	OpenGL ES 3.1 & Vulkan 1.2
Memory	4GB LPDDR4-4267 SDRAM
Storage	64GB Micro SD Card

Software	
Operating System	Raspberry Pi OS (Desktop) 64-bit

Rear I/O	
Power Port	1 x USB Type-C Port, supports 5V power input.
Standard HDMI Port	1 x Standard HDMI, Type-A Port, compliant with HDMI 2.0, supports 4K 60Hz resolution.
Micro HDMI Port	1 x Micro HDMI Port, compliant with HDMI 2.0, supports 4K 60Hz resolution.
Micro SD Card Slot	1 x Micro SD Card Slot, for installing Micro SD card to boot the system.

Side I/O	
1000M Ethernet Port	1 x Ethernet Port (10/100/1000M Auto-Negotiation), RJ45 Connector, for Ethernet connection.

Side I/O	
USB 3.0 Port	2 x USB 3.0 Ports, Type-A, each supports up to 5Gbps data transfer rate.
USB 2.0 Port	1 x USB 2.0 Port, Type-A, supports up to 480Mbps data transfer rate.
Audio Port	1 x Audio Input/Stereo Output, 3.5mm Audio Jack, can be used for microphone input and stereo output. <ul style="list-style-type: none"> • When headphone is connected, audio output switches to the headphone. • When no headphone is connected, audio output switches to the Speaker.
Antenna Connector	1 x SMA Connector, for connecting Wi-Fi/BT Antenna

Button and Indicator	
ON/OFF Button	1 x ON/OFF Button, with Blue LED; for powering the device ON and OFF.

Expansion Functions	
Speaker	Built-in 2 x 8Ω 0.8W speakers, supporting external audio playback. Note: When headphone is connected to the audio port, the speaker has no audio output.

Electrical Characteristics	
Input Voltage	5V DC Note: Raspberry Pi 27W USB-C Power Supply is recommended.
Power Consumption (Max)	12W

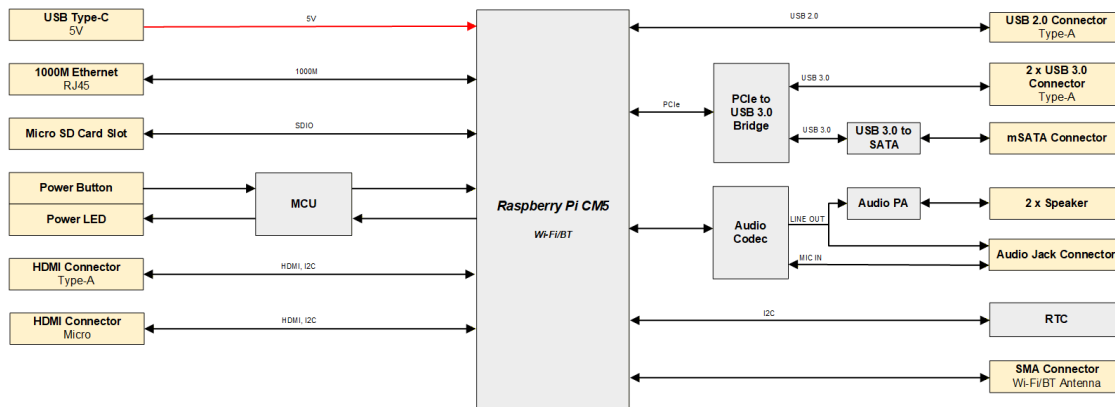
Mechanical Characteristics	
Dimension	100mm x 100mm x 19mm (W x D x H, the antenna is not)
Weight	About 247g
Available Colors	Moonlight Silver, Rose Gold
Installation	Desktop placement

Wireless	
Wi-Fi/Bluetooth	2.4GHz & 5GHz dual-band Wi-Fi and Bluetooth with antenna. <ul style="list-style-type: none"> • 2.4GHz Wi-Fi: Compatible with IEEE 802.11 b/g/n • 5GHz Wi-Fi: Compatible with IEEE 802.11 a/n/ac • The Bluetooth supports 2402MHz ~ 2480MHz frequency

Environmental & Regulatory	
	0°C ~ 40°C

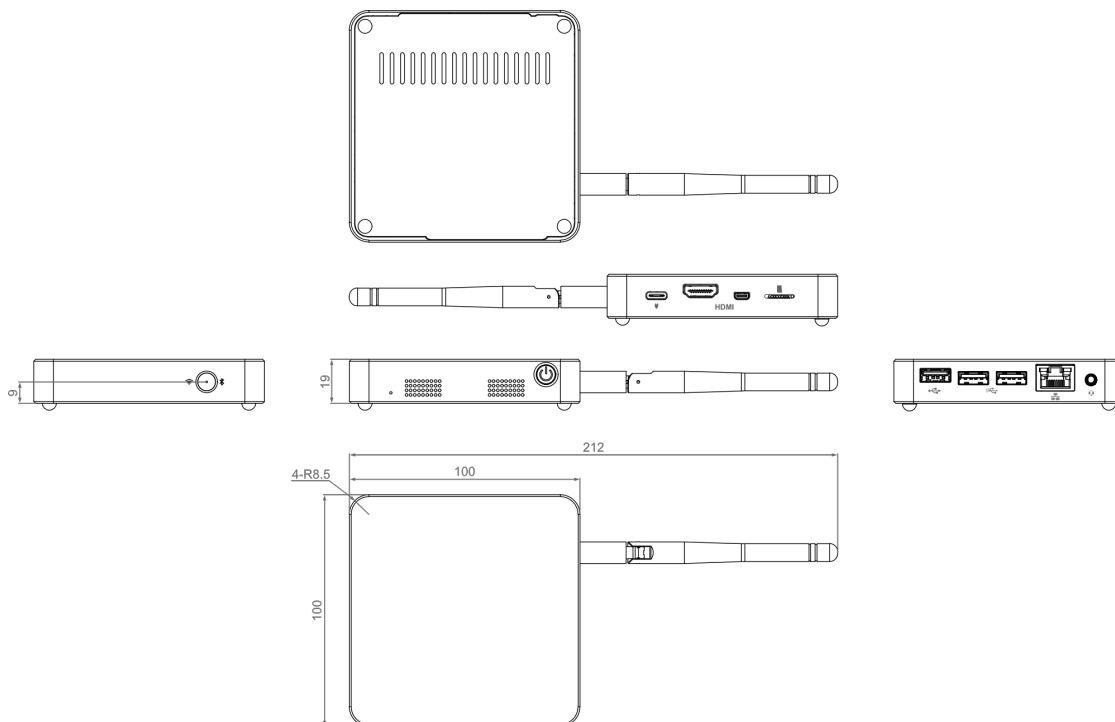
Environmental & Regulatory	
Operating Temperature	
Operating Temperature	0°C ~ 40°C
Ambient humidity	5% ~ 95% (non-condensing)

System Diagram



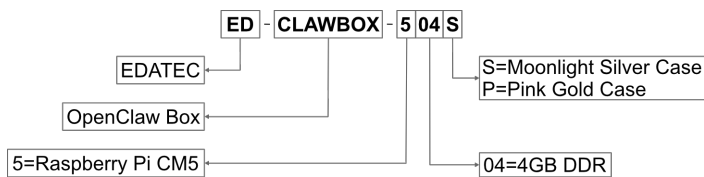
Dimensions

Unit: mm



Ordering information

Coding Rules



Example

P/N: **ED-CLAWBOX-504S**

Configuration: OpenClaw Mini Unit Based on Raspberry Pi CM5, with 4GB DDR, 64GB SD Card and Moonlight Silver Case.

Ordering Code

Model	Description	Stocking Level
ED-CLAWBOX-504S	Raspberry Pi CM5, Wi-Fi/BT, 4GB DDR + 64GB SD Card, Moonlight Silver Case	Preview
ED-CLAWBOX-504P	Raspberry Pi CM5 , Wi-Fi/BT, 4GB DDR + 64GB SD Card, Pink Gold Case	Preview

Optional Accessories

Raspberry Pi official power supply can be selected as needed.

Model	Description	Picture
SC1149	Raspberry Pi 27W USB-C Power Supply White UK	
SC1153	Raspberry Pi 27W USB-C Power Supply White US	
SC1154	Raspberry Pi 27W USB-C Power Supply Black UK	
SC1155	Raspberry Pi 27W USB-C Power Supply Black AU	
SC1157	Raspberry Pi 27W USB-C Power Supply Black EU	
SC1407	Raspberry Pi 27W USB-C Power Supply White EU	
SC1158	Raspberry Pi 27W USB-C Power Supply Black US	

Packing List

- 1 x ED-CLAWBOX Unit
- 1 x 2.4GHz/5GHz Wi-Fi/BT Antenna